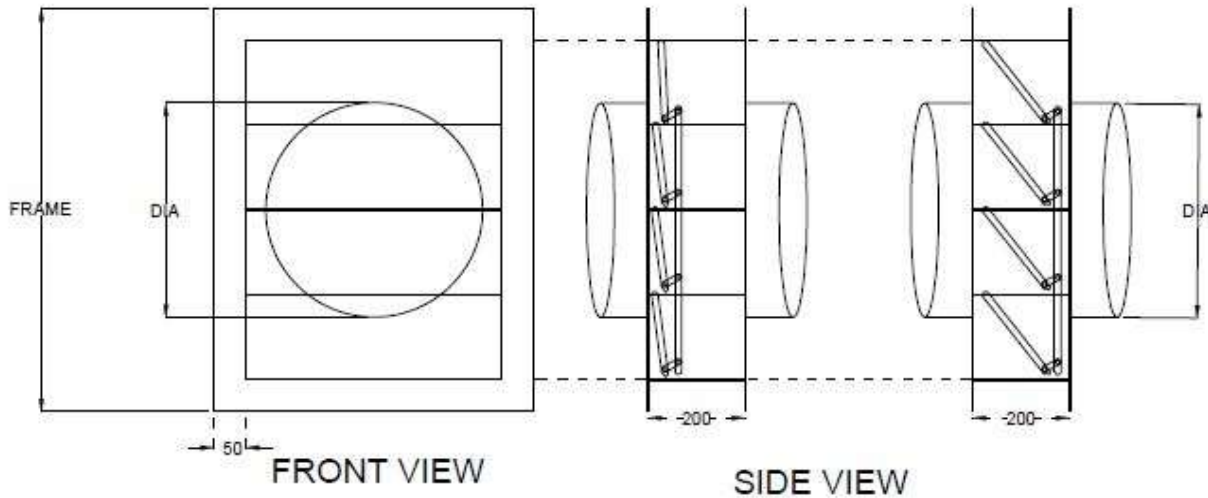




# BACK DRAFT DAMPER SPIGOT TYPE

( SARA-BDDS )



BACK DRAFT DAMPER

## STANDARD CONSTRUCTION

### FRAME

Galvanized Steel ( 1.20mm or 1.50mm )

### BLADES

Aluminum Construction ( 0.60, 0.70 & 0.80mm ) Maximum Width 200mm SHAFT  
12mm Plated Steel ( High Pressure ) 4mm Plated Steel ( 4mm Low Pressure )

### Bushing

Low pressure ( 4mm Rod Rubber Bushing )

High Pressure ( 12mm Rod Brass Bushing )

### Finish

Mill

### Mounting

Vertical & Horizontal

PRODUCT OPTION STAINLES STEEL

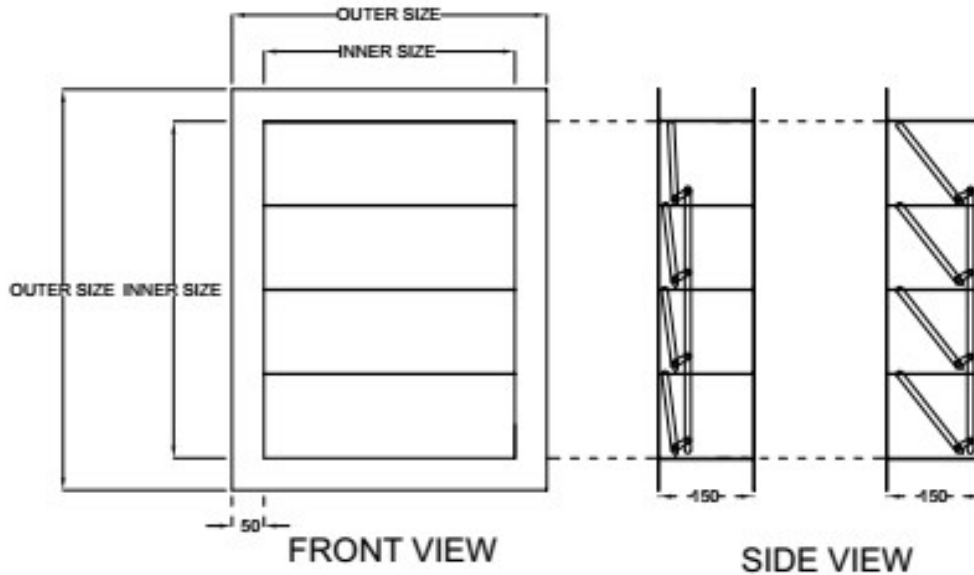


AN ISO 9001: 2015 CERTIFIED COMPANY



# BACK DRAFT RECTANGULAR DAMPER

( SARA-BDD/R )



BACK DRAFT DAMPER

## STANDARD CONSTRUCTION

### FRAME

Galvanized Steel ( 1.20mm or 1.50mm )

### SHAFT

12mm Plated Steel ( High Pressure )

### Bushing

Low pressure ( 4mm Rod Rubber Bushing )

High Pressure ( 12mm Rod Brass Bushing )

4mm Plated Steel ( 4mm Low Pressure )

### BLADES

Extruded Aluminium Construction (0.60,0.70 & 0.80mm ) Maximum Width 200mm

### Finish

Mill

### Mounting

Vertical & Horizontal



AN ISO 9001: 2015 CERTIFIED COMPANY

